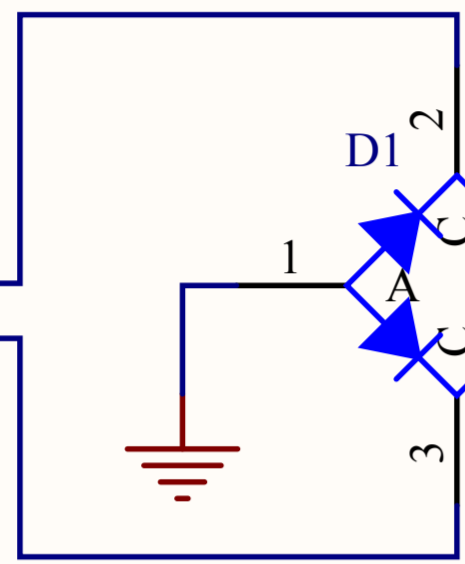


CON1
2
1
11.5VAC



+C1
2'200u

+C2
100u

U1
IN FB
ON/OFF OUT
GND
LM2576T5.0

L1
100u 3A

+C4
1'000u

R1
1k

CON2
1
2
Sortie 5V

LED1
Verte

U2
IN FB
ON/OFF OUT
GND
LM2576T12

L2
100u 3A

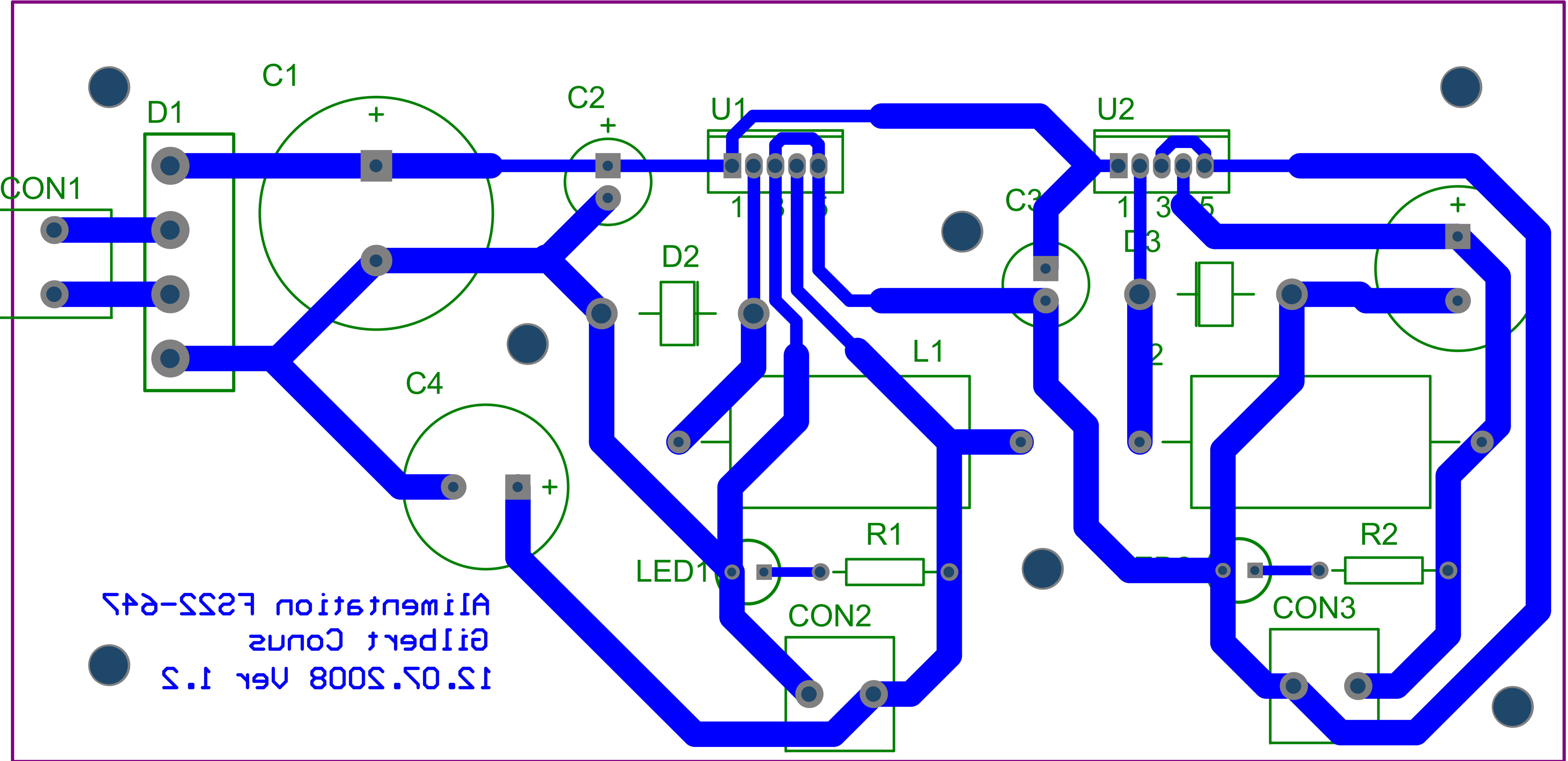
+C5
1'000u

R2
2k7

CON3
1
2
Sortie 12V

LED2
Jaune

Title		
Alimentation V 12V 50W pour le FS22-647		
Size	Number	Revision
A4		1.0
Date:	07.09.2008	Sheet of
File:	D:\Projets\...\Alimentation.SchDoc	Drawn By: Gilbert Conus



Alimentation F252-647
Gilbert Couz
15.07.2008 Ver 1.2